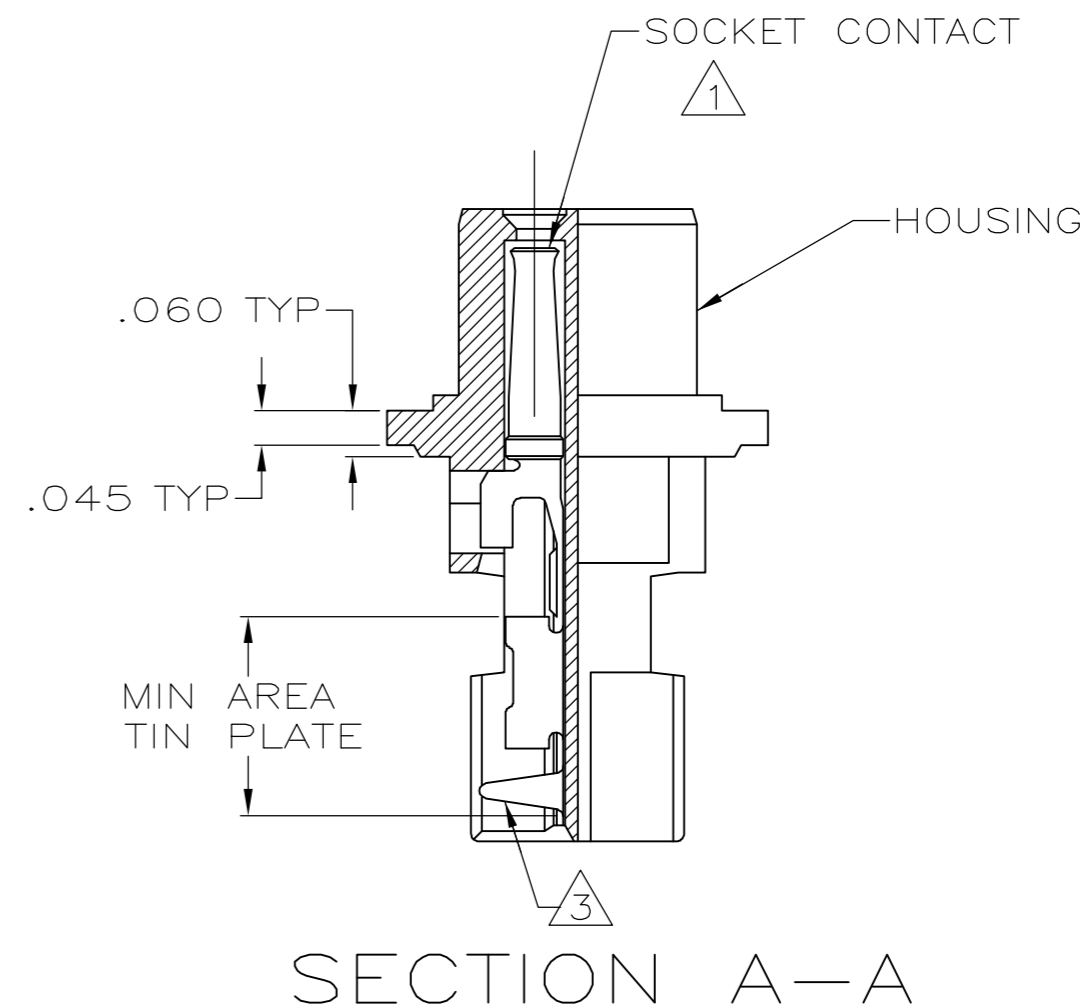
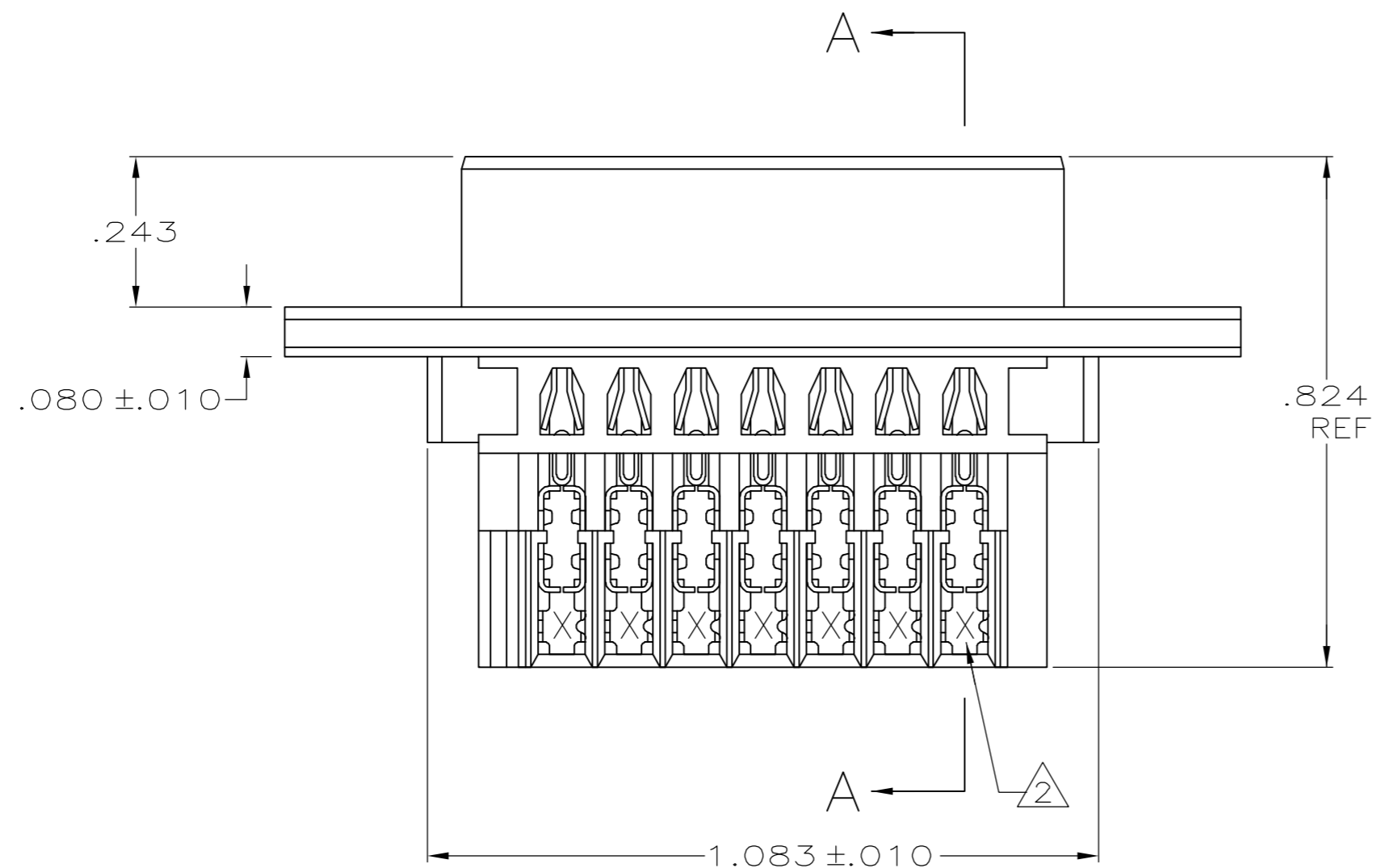
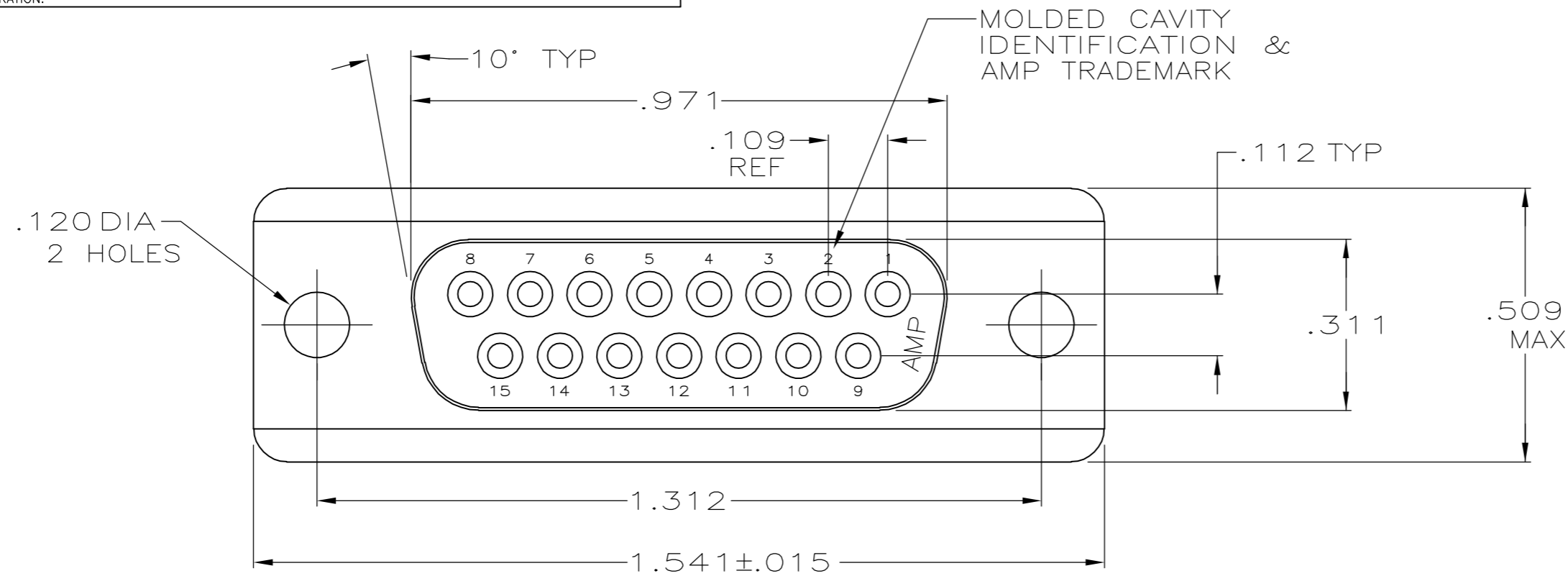


THIS DRAWING IS UNPUBLISHED. RELEASED FOR PUBLICATION
 © COPYRIGHT BY TYCO ELECTRONICS CORPORATION. ALL RIGHTS RESERVED.

LOC		DIST		REVISIONS			
GP	00	P	LTR	DESCRIPTION	DATE	DWN	APVD
		M1		REVISED PER ECO-06-020813	27OCT06	JDP	CWR



- ① HOUSING FULLY LOADED WITH CONTACTS.
- ② NUMBER ON CONTACT INDICATES WIRE RANGE.
- ③ CONTACT INSULATION RANGE: .060 MAXIMUM O.D.
- ④ CONTACTS PLATED .000030 GOLD ON MATING END FOR .100 MIN LENGTH. .000100-.000200 THICK BRIGHT TIN OR BRIGHT TIN-LEAD IN AREA SHOWN. .000050 THICK NICKEL UNDERPLATE ON ENTIRE CONTACT.
- ⑤ CONTACTS PLATED WITH GOLD FLASH ON MATING END FOR .100 MIN LENGTH. .000100-.000200 THICK BRIGHT TIN OR BRIGHT TIN-LEAD IN AREA SHOWN. .000030 THICK NICKEL UNDERPLATE ON ENTIRE CONTACT.
- ⑥ CONTACTS PLATED .000030 GOLD ON MATING END FOR .100 MIN LENGTH .000100-.000200 THICK MATTE TIN IN AREA SHOWN. .000050 THICK NICKEL UNDERPLATE ON ENTIRE CONTACT.
- ⑦ CONTACTS PLATED WITH GOLD FLASH ON MATING END FOR .100 MIN LENGTH. .000100-.000200 THICK BRIGHT TIN IN AREA SHOWN. .000030 THICK NICKEL UNDERPLATE ON ENTIRE CONTACT.
- ⑧ HOUSING: 94V-0 RATED THERMOPLASTIC, BLACK.

OBSOLETE	⑦	2	#22-26	745205-8
	⑥	2	#22-26	745205-7
OBSOLETE	⑤	3	#20-22	745205-6
OBSOLETE		2	#22-26	745205-5
OBSOLETE	④	1	#26-30	745205-4
OBSOLETE		3	#20-22	745205-3
OBSOLETE		2	#22-26	745205-2
OBSOLETE		1	#26-30	745205-1
	FINISH	②	AWG WIRE RANGE	PART NUMBER

THIS DRAWING IS A CONTROLLED DOCUMENT.		DWN	J GALLUCCI BG	4-9-90	 Tyco Electronics Corporation Harrisburg, PA 17105-3608
DIMENSIONS: INCHES		CHK	W.LENKER	6-21-90	
TOLERANCES UNLESS OTHERWISE SPECIFIED:		APVD	-	-	NAME
0 PLC ± -		PRODUCT SPEC	108-40011		RECEPTACLE ASSEMBLY, SIZE 2, 15 POSITION, AMPLIMITE
1 PLC ± -		APPLICATION SPEC	114-40002		
2 PLC ± -		WEIGHT	-		SIZE
3 PLC ± .005		CUSTOMER DRAWING	A2	00779	CAGE CODE
4 PLC ± -		SCALE	4:1		DRAWING NO
ANGLES ± -		SHEET	1 of 1		RESTRICTED TO
FINISH SEE TABLE		REV	M1		